

DS-D5C65RB/A 65-inch Interactive Flat Panel



The Hikvision Interactive Flat Panel is a kind of newly developed intelligent teaching assistance product which integrates with the latest technologies of touch control, HD display, video processing, network communication, interactive control, sound control. It can be widely applied to the classroom, online teaching, training center, etc.

- UHD 4K display with resolution of 3840 × 2160.
- Anti-glare and anti-blocking design to ensure smooth interaction
- Dual systems of Android and Windows (Optional) saving cost and easy to use, video conference software are recommended to run under Windows system.
- Quick response, at most 45-points touch control and smooth writing experience.
- Built-in network switch module saves a network switch.
- All-in-one design with tempered glass and intelligent temperature control, making it environmental-friendly and safety-guaranteed, support blue light protection.

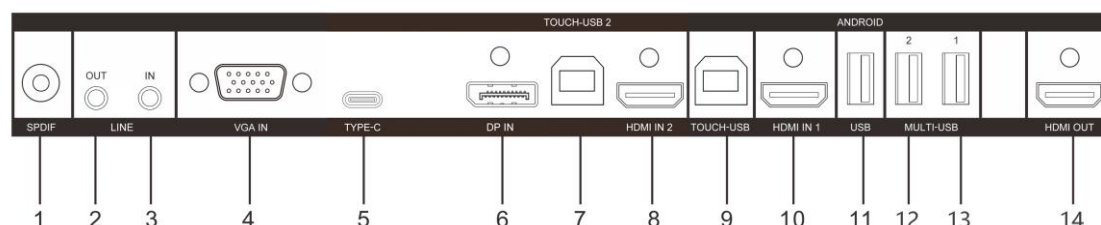
▪ Specification

| Model | | DS-D5C65RB/A |
|-------------------------------|----------------------|---|
| Product Model | Product Model | DS-D5C65RB/A |
| Panel | Glass Thickness | 3.2 mm |
| | Glass Bonding Method | Zero Lamination |
| Display | Screen Size | 65 inch |
| | Backlight | LED |
| | Pixel Pitch | 0.124 (H) × 0.372 (V) mm |
| | Resolution | 3840 × 2160 @60 Hz |
| | Brightness | 400 cd/m ² with Brightness sensor |
| | Color Depth | 10 bit |
| | Contrast Ratio | 4000:1 |
| | Response Time | 8 ms |
| | Color Gamut | 72% NTSC |
| | Refresh Rate | 60 Hz |
| | Viewing Angle | 178°(H)/178°(V) |
| Optical | Aspect Ratio | 16 : 9 |
| Built-in System | Operation System | Android 12.0 |
| | Processor | Quad-core Cortex-A76 × 4 (2.4GHz) and quad-core Cortex-A55 × 4 (1.8GHz) |
| | Memory | 8 GB |
| | Built-in Storage | 128 GB |
| | Panel Type | VA |
| | HDCP Version | 2.0 |
| | Touch Resolution | 3840 × 2160 |
| Touch | Type | Infrared Touch Screen |
| | Touch Point | 45 point multi-touch |
| | Touch Response Time | < 8 ms |
| | Touch Precision | ± 1 mm (≥ 90% touching area) |
| Processing Performance | Display Color | 1.07G |
| Internal Function | Loudspeaker | Built-in 2 ×15 W+25W loudspeaker; |
| | Bluetooth | Built-in BLE (Bluetooth Low Energy) module supports Bluetooth 5.1 |
| Interface | Video & Audio Input | HDMI In (HDMI 2.0) × 3, VGA In × 1, DP In (DP 1.2) × 1, Audio In × 1 |
| | Video & audio output | HDMI Out (HDMI 2.0) × 1, Audio Out × 1, SPDIF Out × 1 |
| | Control interface | TOUCH-USB 3.0 × 3, RS232 × 1 |
| | Network Interface | LAN (1000 Mbps) × 2 WIFI AP&Station, 2.4G/5G IEEE 802.11 a/b/g/n/ac 2x2 MIMO (2.4 GHz and 5 GHz) authentication protocols WEP, WPA, WPA2, PSK and 802.1X EAP |

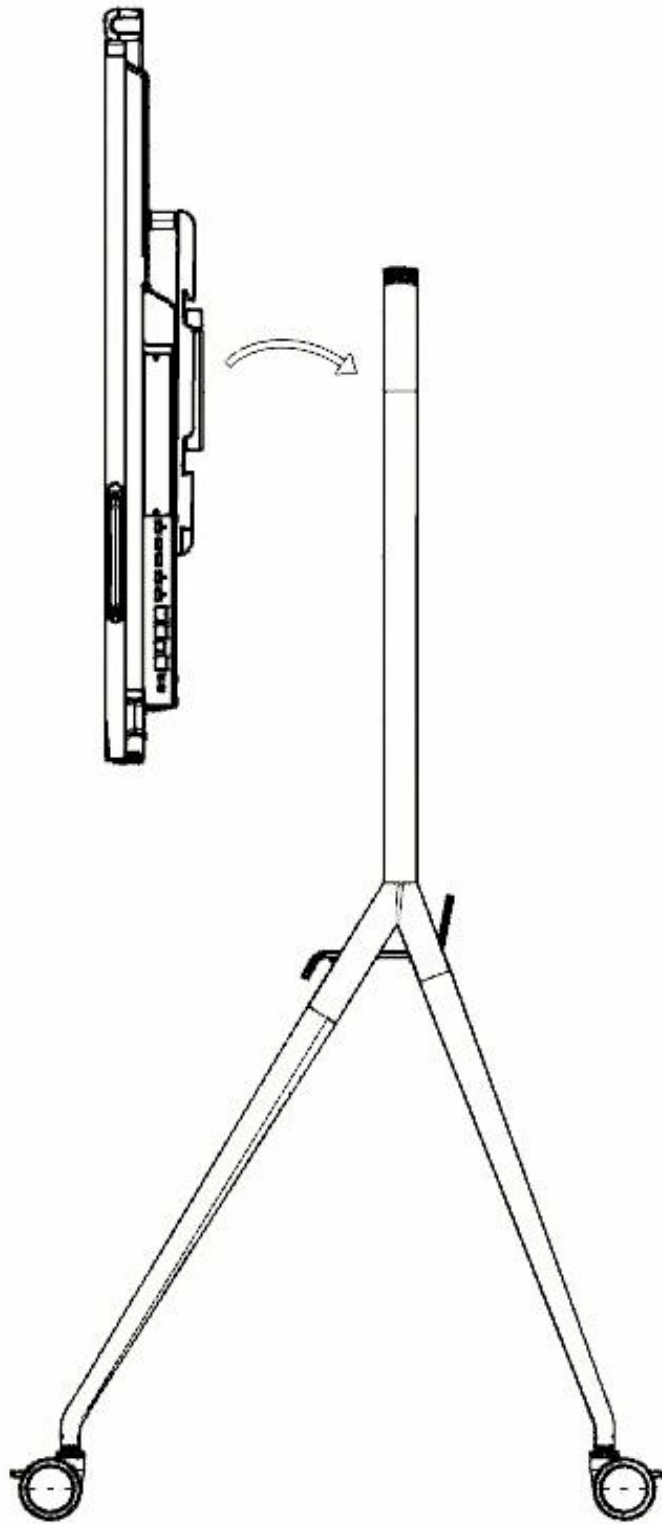
| | | |
|----------------------------|---|--|
| | Data Transmission Interface | USB 3.0 × 4, USB 2.0 × 1, Type-C × 2 (Type-C supports USB 2.0, DP 1.2, and charging functions; side charging 15 W, front charging 65 W) |
| Power | Standby Consumption | ≤ 0.5 W |
| | Max. Consumption | < 200 W |
| Working Environment | Working Temperature | 0 °C to 40 °C (32 °F to 104°F) |
| | Working Humidity | 10%~90% RH |
| General | VESA | 600 mm × 400 mm(4 × M8-25 mm) |
| | Power Supply | 100 to 240 VAC, 50/60 Hz |
| | Product dimensions | 1491.9 mm × 82.3 mm × 895.1 mm |
| | Accessory | Wall mount bracket, hook, user manual, touch writing pen, packing list, 3M touch USB cable, 3M HDMI cable (2.0), 1.5m power cable (European standard), Bluetooth remote control. |
| | Package Dimensions (W × H × D) | 1704 mm × 251 mm × 1073 mm |
| | Net Weight | 40.92 |
| | Gross Weight | 51.89 |
| NFC | Support screen mirroring by Android phones. | |

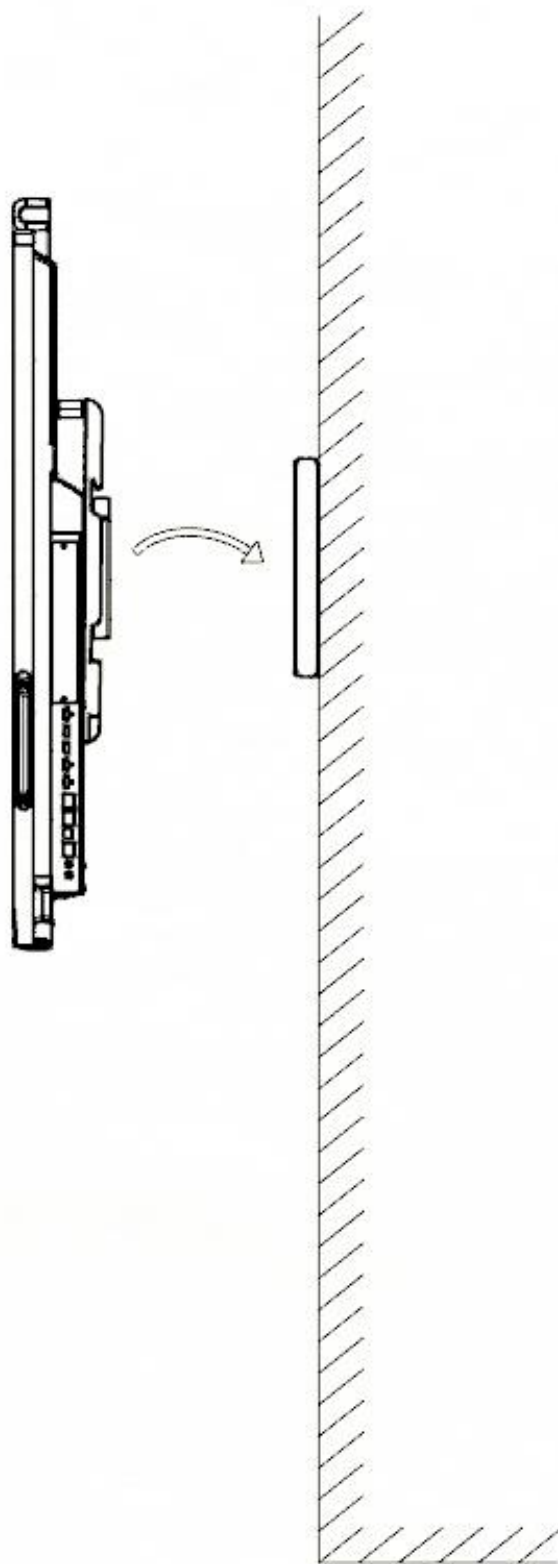
Physical Interface

| Interface | Description | Interface | Description |
|----------------|--------------------------------|----------------|------------------------------------|
| 1.SPDIIF | SPDIF interface | 2.Line OUT | Audio output interface |
| 3.Line IN | Audio input interface | 4.VGA IN | Video devices connection interface |
| 5.TYPE-C | Type-C interface | 6.DP IN | Display input interface |
| 7.TOUCH-USB 2 | Peripheral touch interface | 8.HDMI IN 2 | HDMI 2 input interface |
| 9.TOUCH-USB | Peripheral touch interface | 10.HDMI IN 1 | HDMI 1 input interface |
| 11.USB | USB interface | 12.MULTI-USB 2 | Multi-functional USB interface |
| 13.MULTI-USB 1 | Multi-functional USB interface | 14.HDMI OUT | HDMI output interface |



Installation

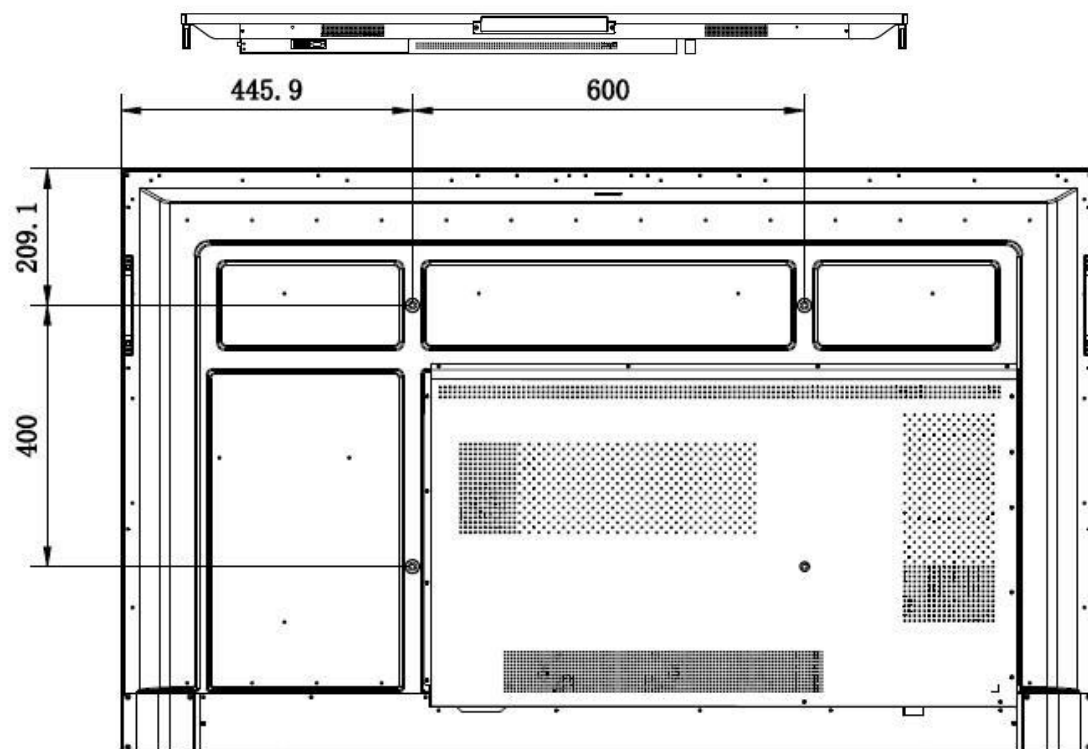
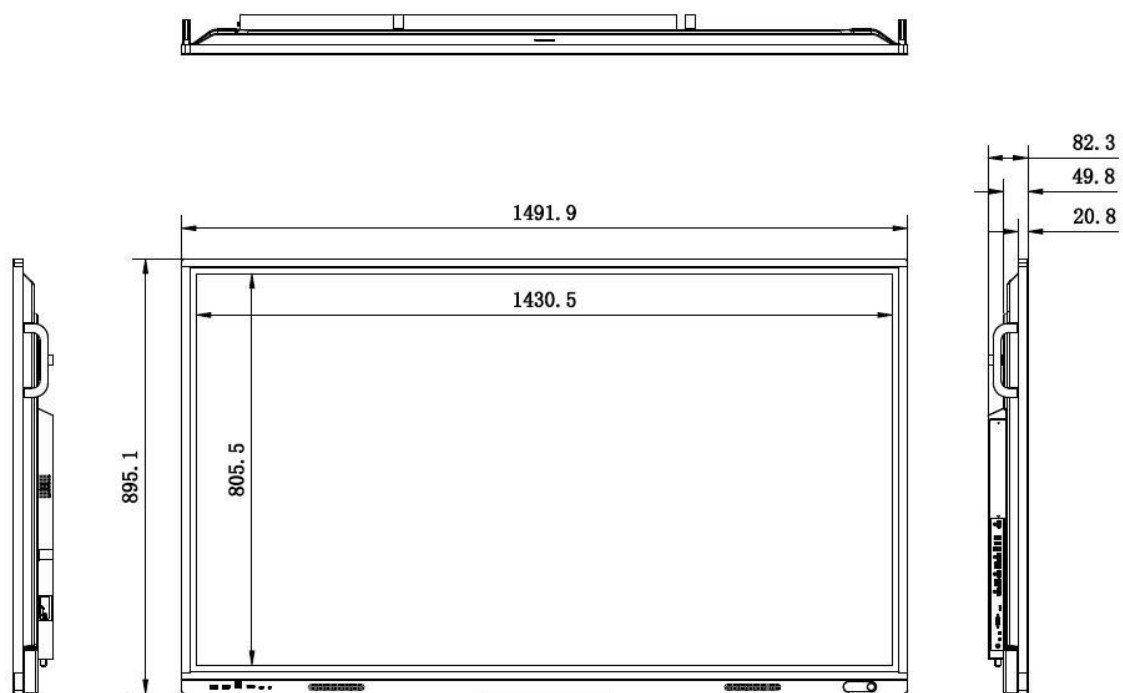


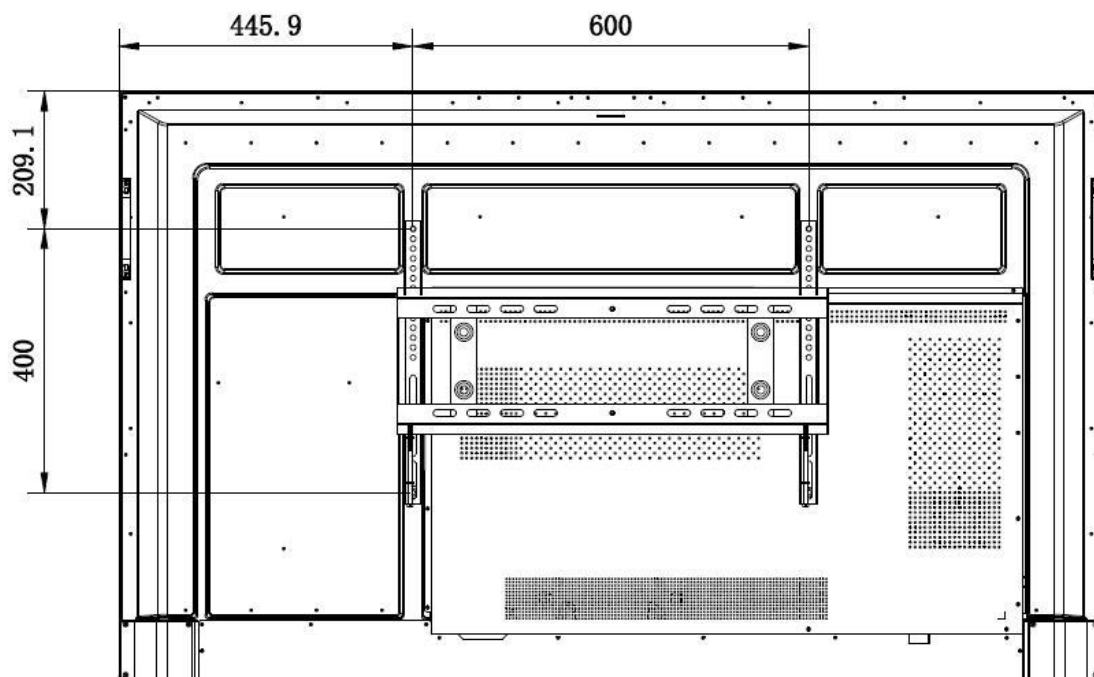


▪ **Available Model**

DS-D5C65RB/A

▪ Dimension





Headquarters

No.555 Qianmo Road, Binjiang District,
Hangzhou 310051, China
T +86-571-8807-5998
www.hikvision.com



Follow us on social media to get the latest product and solution information.

